

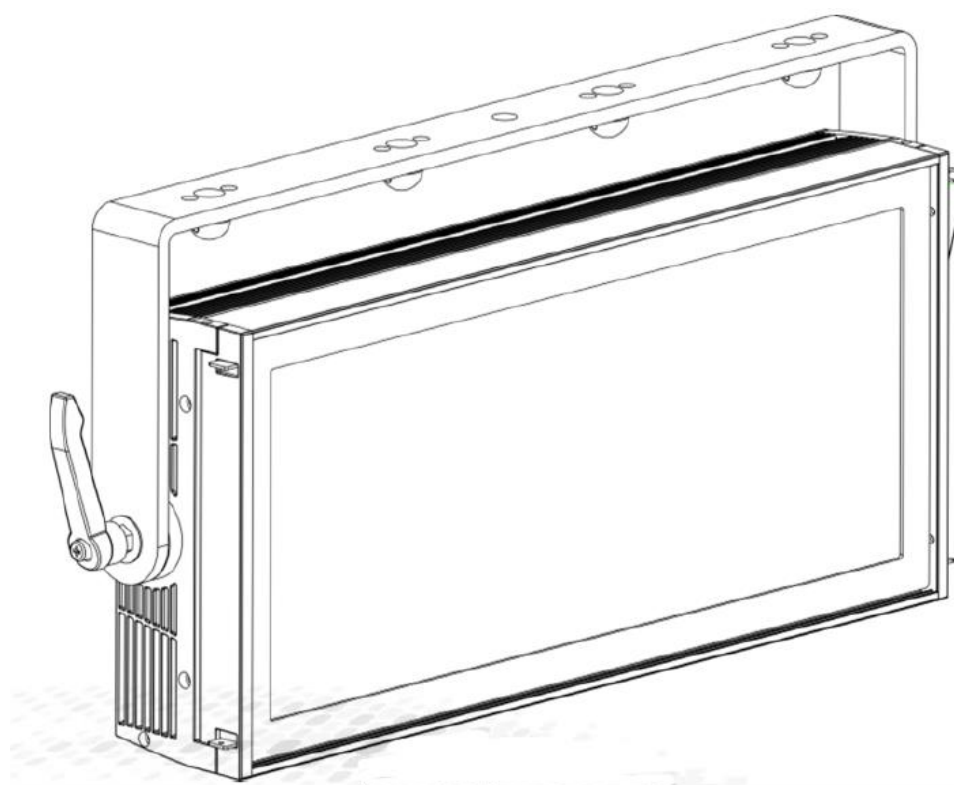
SHOWPRO

SILVER STAR
Professional Lighting

E-Lite

LEDLIT100

USER MANUAL

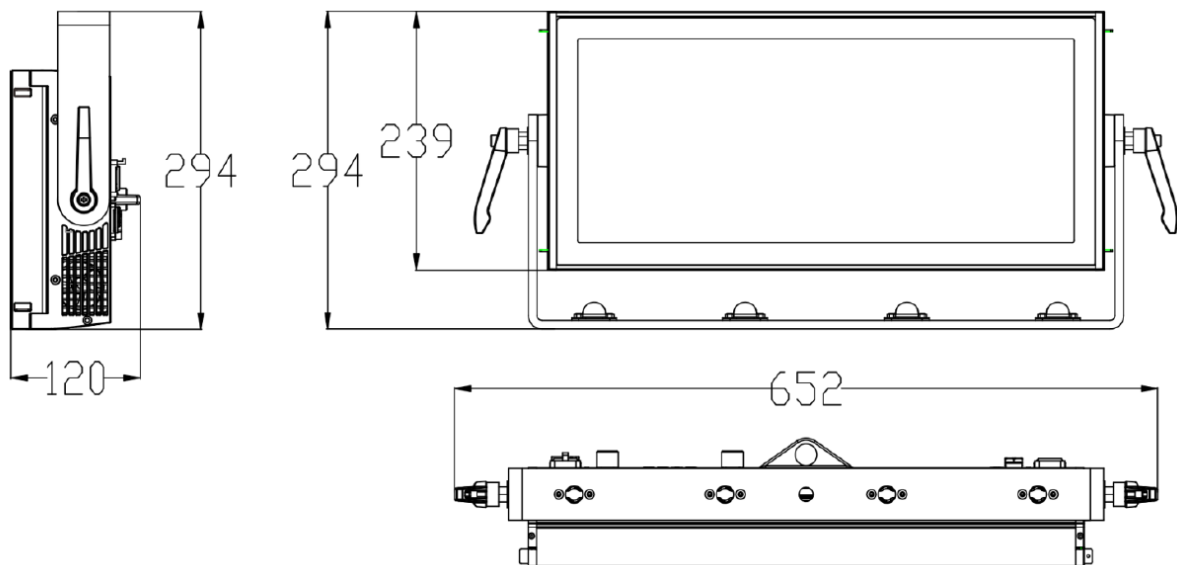


1 PRODUCT

1.1 TECHNICAL SPECIFICATIONS

Type	E-Lite
LED	440pcs x WW, 440pcs x CW
Power	500W
Voltage Range	AC100~240V,50/60Hz
Beam Angle	4.5°-45°
Protection	IP65
Operation Temperature	-20°C~45°C
Dimensions	652x120x249mm
Weight	11.3kg

DIMENSIONS



1.2 Safety Notes

IMPORTANT

- This product must be installed by a qualified professional.
- In order to maintain this condition and to ensure a safe operation, it is absolutely necessary for the user to follow the safety instructions and warning notes
- The manufacturer will not accept liability for any resulting damages caused by the non-observance of this manual or any unauthorized modification to the device.

CAUTION!

- Make sure that the available voltage is not higher than stated on the rear panel.
- Do not touch the power cables if your hands are wet.
- The earth wire must always be connected to the ground. Therefore it is essential to connect the yellow/green conductor to earth.
- Make sure that the power-cord is never crimped or damaged by sharp edges. Check the device and the power-cord from time to time. The electric connection, repairs and servicing must be carried out by a qualified employee.
- Always disconnect power input cable to completely remove power from unit when not in use or before cleaning or servicing the fixture.
- Do not switch the fixture on and off in short intervals as this would reduce the lamp's life.
- Do not touch the device's housing bare hands during its operation (housing becomes hot)! The surface of the product's casing can reach up to 70° C (158° F) during operation. Avoid contact by persons and materials. Do not install the product in a location where there is a risk of accidental contact. Allow the product to cool for at least 10 minutes before handling.
- For replacement use lamps and fuses of same type and rating only.
- Please protect the fixture and avoid destroy during transport and installation. If there is any damage to the coating, the shell may be corroded.
- When hanging lamps and lanterns, it is necessary to verify that facilities and hooks can bear at least 10 times the weight of lamps and lanterns.
- Fix the safety rope at the correct holes only. Only operate the fixture after having checked that the housing is firmly closed and all screws are tightly fastened.
- The maximum ambient temperature 45°C must never be exceeded. Do not operate the product if the ambient temperature (T_a) exceeds 45° C (115° F).

Electrical Warning

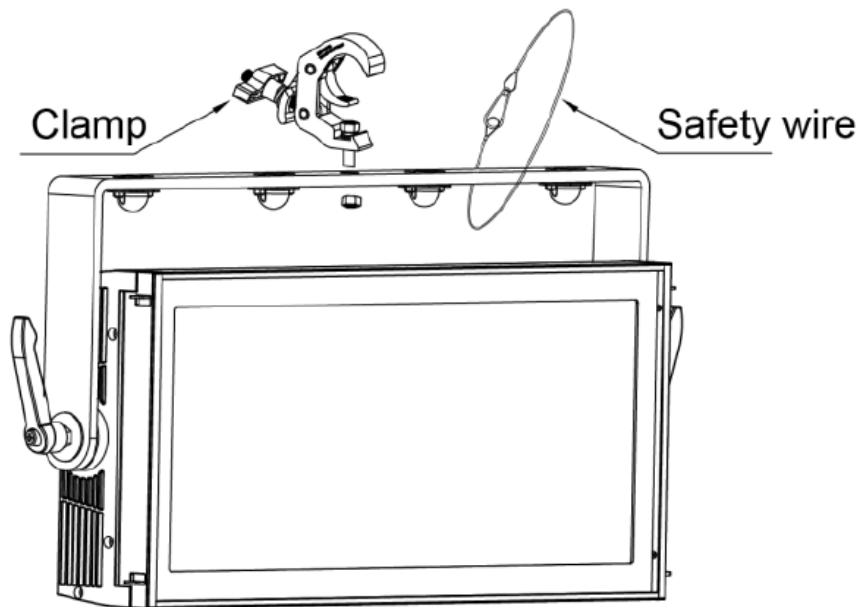
- The light source contained in this luminaire shall only be replaced by the manufacturer or his service agent or a similar qualified person

2 INSTALLATION

2.1 MOUNTING

UPRIGHT

- For overhead use, always install a safety cable that can hold at least 10 times the weight of the fixture.
- For overhead installation, the fixture must be always secured with a safety wire that can bear at least 10 times the weight of the fixture; Secure the fixture with a safety cable through the rear safety eye as shown.
- Ensure that the structure (truss) to which you are attaching the fixture is secure



Hanging layout

2.2 POWER CONNECTIONS

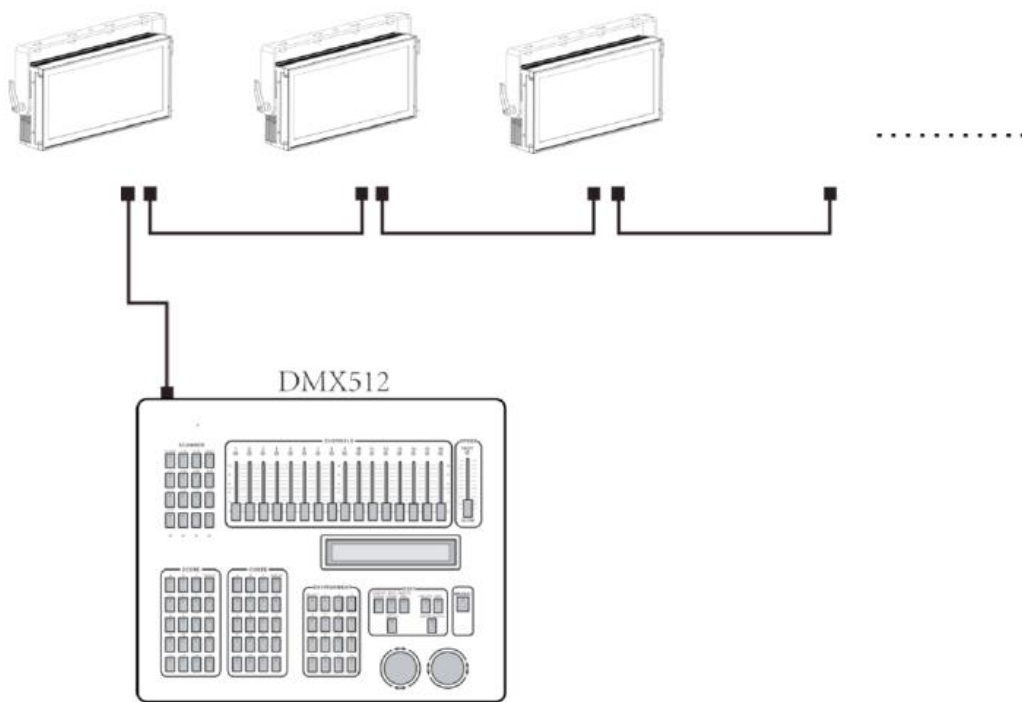
- POWER Linking: 4 units@110V; 8 units@220V.
- This product has an auto-ranging power supply that can work with an input voltage range of 100–240 VAC, 50/60 Hz.

AC Plug

Connection	Wire (US)	Wire (Europe)	Screw Colour
AC Live	Black	Brown	Yellow/Brass
AC Neutral	White	Blue	Silver
AC Ground	Green/Yellow	Green/Yellow	Green

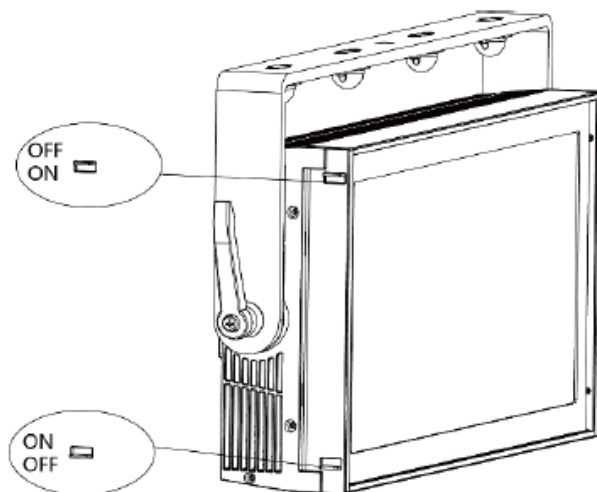
2.3 Data network requirements

- Connect the DMX512 controller to the units in series. A DMX 512 data link is required in order to control the fixture via DMX. The fixture has 3/5-pin XLR connectors for DMX data input and output.
- Each unit has 13 DMX channels so the DMX Addresses should increase by increments of 1, (Nx1)+1, (Nx2)+1, (Nx3)+1...
- Any DMX address in the range from 001 to 512 may be used.



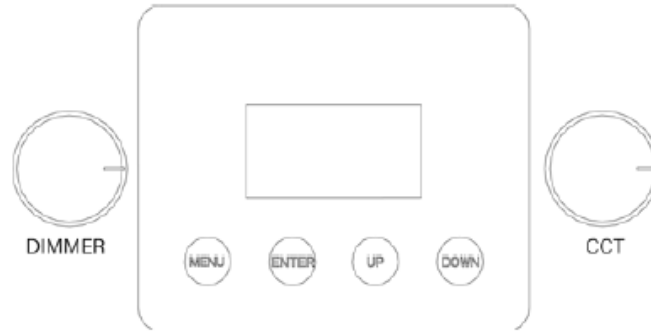
2.4 Data network requirements

- Move the button in the direction of the arrow to open the fixed plate.



3 FUNCTIONS AND SETTINGS

3.1 DISPLAY OPERATION



- ◆ MENU: Used to access the menu or to return a previous menu option;
- ◆ ENTER: Used to select and store the current menu or confirm the current function value or option within a menu;
- ◆ UP: Navigates downwards through the menu list and increases the numeric value when in a function;
- ◆ DOWN: Navigates upwards through the menu list and decreases the numeric value when in a function;

3.2 Menu Map

KNOB MODE	1. Dimmer 0-100%		2. CCT 2800K – 6000K		Knob Parameter Setting
STATIC	WHITE	000 – 255			Combine WHITE and COOL to produce 2800K – 6000K (0-255) Set the value of the STROBE (0-25Hz)
	COOL	000 – 255			
	STROBE	000 – 255			
ADDRESS	001 – 512 (Default: 001)				Set the DMX ADDRESS
RUN MODE	DMX (Default)				DMX: Use a DMX 512 controller SLAVE: Master--Slave operation.
	SLAVE				
PERSONALITY	UNO				Use the menu to select desired channel mode
	VW. D				
	VW. F				
	STD. P				
SETTING	****	RESET	****	RESET	Restore factory settings
		DIMMER	DIM4 (Default)		Dimming curves DIM4 (Slow) DIM1 (Fast)
			DIM3		
			DIM2		
			DIM1		
			OFF		
		DMX ERROR	SAVE (Default)		Hold after loss of DMX signal
			BLACK		Blackout after loss of DMX signal
		LED PWM	1200Hz (Default)		Sets the PWM frequency
			2400Hz		
			4000Hz		
			6000Hz		
		FULL POWER CCT	25000Hz		Full power colour temperature selection
	4000K				
	5600K				
		6500K			

			NORMAL (Default)	
		PERFORM	STUDIO	Fan mode low speed
			POWER	Fast rotation of fan, all power
			LIVE (Default)	Automatic rotation of fan
		DISP KEY	ON (Default)	Locks display (passcode is UP, DOWN, UP, DOWN, ENTER)
			OFF	
		DISP TIME	ON	Display backlight always on
			10s	Turns off display backlight after 10s/30s/2min of inactivity
			30s	
			2min	
CCT	CCT	2800K	White 000 – 255	Reset colour temperatures
		3000K	Cool 000 – 255	
		3200K		
		3500K		
		4000K		
		4200K		
		4500K		
		5000K		
		5600K		
	6000K			
	CALR	****	OK	
INFO	FIXTURE HOURS			Hours of fixture use
	VERSION			Software versions
	RDM	UID	0x388Axxxxxx	Check fixture ID
		LABEL		Check fixture's LABEL
The default password for this product is Up, Down, Up, Down, Enter				

4 USING A DMX512 CONTROLLER

4.1 DMX CONTROL

UNO	VW. D	VW. F	STD. P	VALUE	FUNCTION
Ch. 1	Ch. 1	Ch. 1	Ch. 1	000 – 255	DIMMER
--	--	Ch. 2	Ch. 2	000 – 255	DIMMER FINE
--	Ch. 2	Ch. 3	Ch. 3	000 – 255	WARM WHITE
--	--	Ch. 4	Ch. 4	000 – 255	WARM WHITE FINE
--	Ch. 3	Ch. 5	Ch. 5	000 – 255	COOL WHITE
--	--	Ch. 6	Ch. 6	000 – 255	COOL WHITE FINE
--	--	--	Ch. 7	CCT	
				000 – 010	No Function
				011 – 040	2800K - 3000K
				041 – 070	3000K - 3200K
				071 – 100	3200K - 3500K
				101 – 1310	3500K - 4000K
				131 – 160	4000K - 4200K
				161 – 190	4200K - 4500K
				191 – 220	4500K - 5000K
				221 – 250	5000K - 5600K
251 – 255	5600K - 6000K				
--	--	--	Ch. 8	STROBE	
				000 – 009	No Function
				010 – 099	Strobe; Slow to Fast (0-25Hz)
				100 – 109	No Function
				110 – 179	Lightning Strobe
				180 – 189	No Function
190 – 255	Random Strobe				
--	--	--	Ch. 9	CONTROL (Executes after 3 seconds)	
				000 – 010	No Function
				011 – 080	Reserved
				081 – 090	1200Hz
				091 – 100	2400Hz
				101 – 110	4000Hz
				111 – 120	6000Hz
				121 – 130	25000Hz
				131 – 140	Dimmer Mode: Off
				141 – 150	Dimmer Mode: 1
				151 – 160	Dimmer Mode: 2
				161 – 170	Dimmer Mode: 3
				171 – 180	Dimmer Mode: 4
				181 – 190	Reserved
191 – 200	Full Reset				
201 – 255	Reserved				